

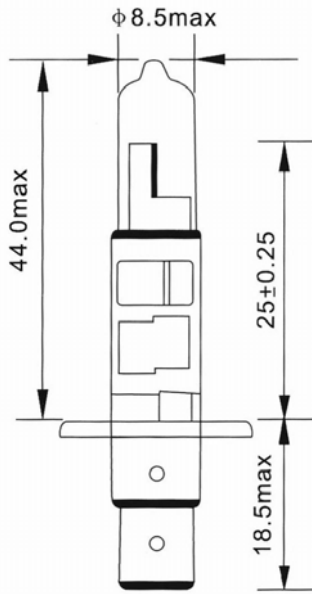
## Halogen Lamp (H1)



White



Crystal blue



H1



Crystal yellow



Blue(Super white)

### Specification

Item	Spec Lamp type	Voltage (V)	Wattage (V)	Data at test Voltage			Average Life (hrs)	Max. Overall length (mm)	Max. Bulb dia (mm)	Base type
				Voltage (V)	Wattage (V)	Luminous flux (lm)				
H1	12V 55W	12	55	13.2	68	1400	300	67.5	8.5	P14.5S
	12V 100W	12	100	13.2	100		150	67.5	10	P14.5S
	24V 70W	24	70	28	80	1700	225	67.5	10	P14.5S
	24V 100W	24	100	28	100		150			P14.5S

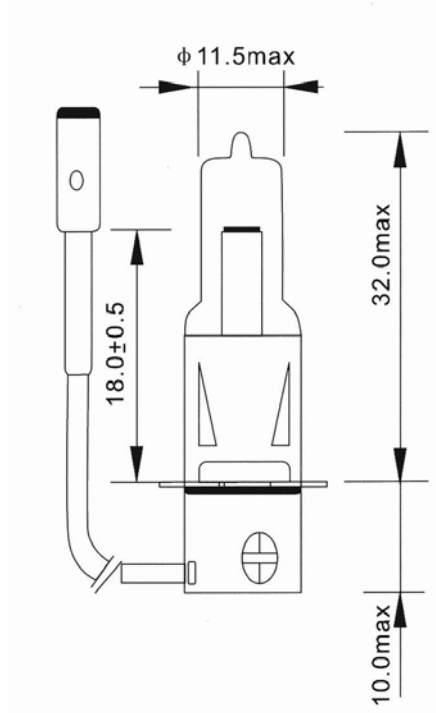
## Halogen Lamp (H3)



White



Crystal blue



H3



Crystal yellow



Blue(Super white)

### Specification

Item	Spec		Voltage (V)	Wattage (V)	Data at test Voltage			Average Life (hrs)	Max. Overall length (mm)	Max. Bulb dia (mm)	Base type
					Voltage (V)	Wattage (V)	Luminous flux (lm)				
	Lamp type										
H3	12V	55W	12	55	13.2	68	1300	300	42	11.5	PK22S
	12V	100W	12	100	13.2	100	2200	150	44	11.5	PK22S
	24V	70W	24	70	28	80		225	42	11.5	PK22S
	24V	100W	24	100	28	100	2300	150	44	11.5	PK22S

## Halogen Lamp (H4)



White



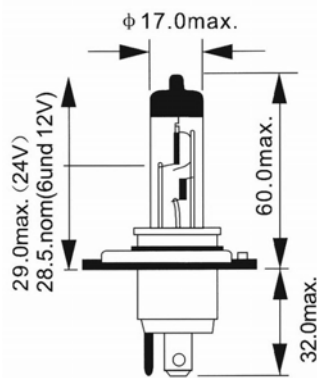
Blue (Super white)



Crystal blue



Power gold



H4



Blue (Super white)

### Specification

Item	Spec Lamp type	Voltage (V)	Wattage (V)	Data at test Voltage			Average Life (hrs)	Max. Overall length (mm)	Max. Bulb dia (mm)	Base type
				Voltage (V)	Wattage (V)	Luminous flux (lm)				
H4	12V 35/35W	12	35/35	13.2	35/35	825/650	150/300	92	17	P43TP45T
	12V 45/40W	12	45/40	13.2		860/675	150/300	92	17	P43TP45T
	12V 60/55W	12	60/55	13.2	75/68	1650/1000	150/300	92	17	P43TP45T
	12V 100/55W	12	100/55	13.2	110/68	2400/1000	150/300	92	17	P43TP45T
	12V 100/80W	12	100/80	13.2		2400/1500	150/250	92	17	P43TP45T
	12V 100/90W	12	100/90	13.2	110/95	2400/1900	150/250	92	17	P43TP45T
	12V 130/90W	12	130/90	13.2		2800/2280	150/250	92	17	P43TP45T
	12V 75/72W	24	75/70	28	85/80	1900/1200	150/300	92	17	P43TP45T
	12V 100/90W	24	100/90	28	110/95	2500/1550	150/250	92	17	P43TP45T

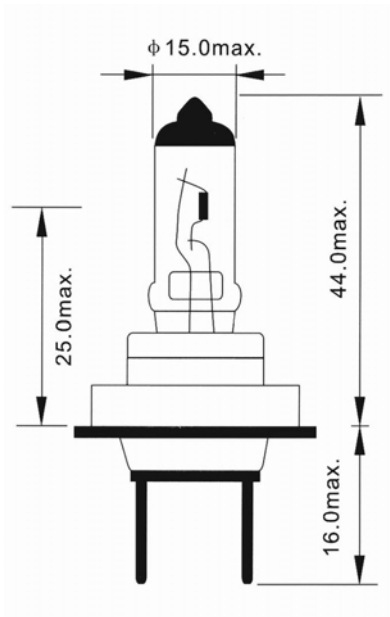
## Halogen Lamp (H7)



White



Crystal blue



H7



Power gold



Blue(Super white)

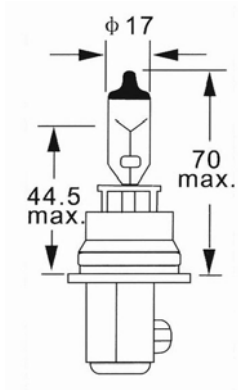
### Specification

Item	Spec		Voltage (V)	Wattage (V)	Data at test Voltage			Average Life (hrs)	Max. Overall length (mm)	Max. Bulb dia (mm)	Base type
					Voltage (V)	Wattage (V)	Luminous flux (lm)				
H7	12V	55W	12	55	13.2	58	1500	450	57	11	PX26D
	12V	70W	12	70	28	75	1750	300	57	11	

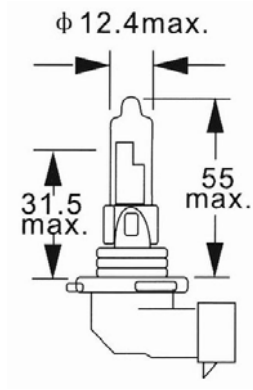
## Halogen Lamp (900X)



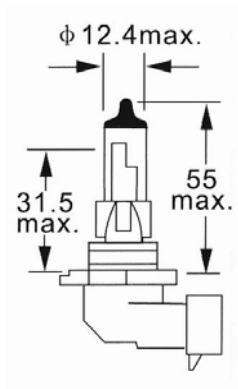
9004



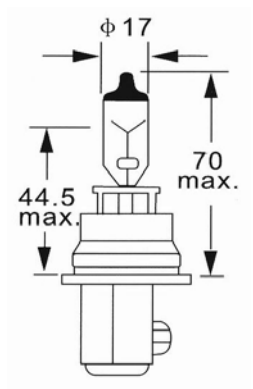
9005



9006



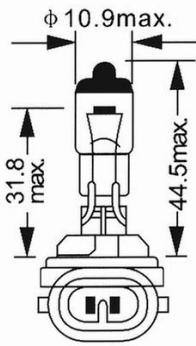
9007



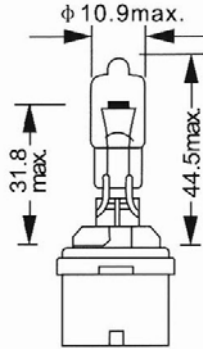
### Specification

Item	Spec Lamp type	Voltage (V)	Wattage (V)	Data at test Voltage			Average Life (hrs)	Max. Overall length (mm)	Max. Bulb dia (mm)	Base type
				Voltage (V)	Wattage (V)	Luminous flux (lm)				
9004	12V 65/45W	12	65/45	12.8	70/50	1200/700	150/320		17	
	12V 100/80W	12	100/80	12.8	110/95	1550/1080	100/200		17	P29t
9005	12V 65W	12	65	12.8	70	1700	320		12.4	P20d
	12V 100W	12	100	12.8	110	2550	200		12.4	P20d
9006	12V 55W	12	55	12.8	60	1000	320		12.4	P22d
	12V 80W	12	80	12.8	80	1300	200		12.4	P22d
9007	12V 65/55W	12	65/55	12.8	70/60	1350/1000	150/320		17	PX29T
	12V 100/80W	12	100/80	12.8	100/85	1550/1100	100/200		17	

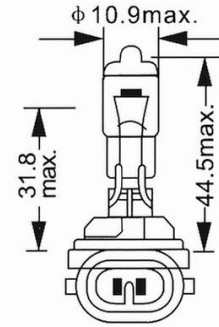
## Halogen Lamp (Special)



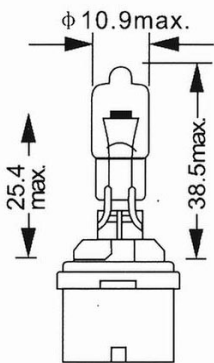
881



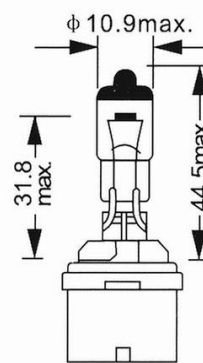
884



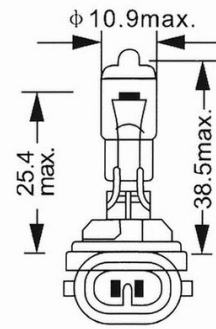
886



890



893



889

## Specification

Item	Spec Lamp type	Voltage (V)	Wattage (V)	Data at test Voltage			Average Life (hrs)	Base type
				Voltage (V)	Wattage (V)	Luminous flux (lm)		
880	12V 27W	12	27	12.8	27	540	300	Axial
881	12V 27W	12	27	12.8	27	540	300	Right Angle
884	12V 27W	12	27	12.8	27	540	300	Axial
885	12V 50W	12	50	12.8	50	1,225	200	Axial
886	12V 50W	12	50	12.8	50	1,225	200	Right Angle
889	12V 27W	12	27	12.8	27	540	300	Right Angle
890	12V 27W	12	27	12.8	27	540	300	Axial
893	12V 37.5W	12	37.5	12.8	37.5	940	200	Axial
894	12V 37.5W	12	37.5	12.8	37.5	940	200	Right Angle
896	12V 37.5W	12	37.5	12.8	37.5	940	200	Right Angle